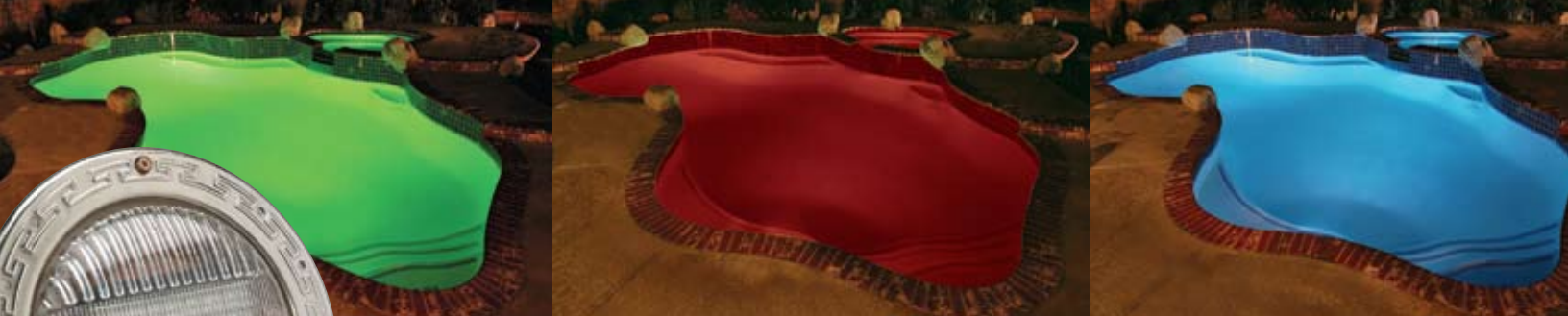


IntelliBrite®

Underwater LED Lights
By Pentair Water Pool and Spa®



*Brilliant, energy-efficient new LED lighting
from Pentair Water Pool and Spa*

A breakthrough in color lighting drama and versatility

IntelliBrite®** color-changing pool and spa lights feature LED technology—the wave of the future in energy-efficiency, lifetime value, quality of light, and the ability to control it.

With IntelliBrite, combinations of individual colored LEDs are mixed and matched to achieve a vibrant spectrum of colors. These combinations are power sequenced to illuminate and cycle through colors at varying speeds, and in different sequences of color. Combined with a custom reflector and unique lens design, the IntelliBrite is the brightest and most efficient underwater LED light available.

- IntelliBrite needs only 37 watts to create the same light output as traditional incandescent and halogen pool lights at 161 watts—more than 75% less! And IntelliBrite spa lights use only 23 watts for the same light output compared to 47 watts for traditional lights.
- Cool running LED lights are durable, solid state technology with no internal filament to wear out.
- Unlike many LED pool lights, the IntelliBrite lights continue to work even when a single LED fails.

*Patent Pending



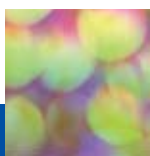
The result is a virtually endless range of dramatic underwater lighting effects at your command. Poolside nights go from great to spectacular.

- Set one of 5 predetermined fixed colors to match or create the mood for the evening... and change it at will.
- Select from 7 popular "color shows" that come pre-programmed into IntelliBrite. Selections include slow scrolls through various color ranges for a mesmerizing and calming routine, to rapid-fire color changes that build energy and excitement for your evening.
- Enjoy the even distribution of the brightest LED light in the market combined with a custom reflector and lens designed to eliminate glare and "hot spots."

Fixed Color Choices



Standard Light Shows



SAm Mode:
Cycles through the color spectrum of the SAm® light

Party Mode:
Rapid color changing builds energy and excitement

Romance Mode:
Slow transition for a mesmerizing and calming routine

California Sunset Mode: Dramatic transitions of orange, red and magenta tones

American Mode:
Patriotic red, white and blue transition

Caribbean Mode:
Transitions between a variety of blues and greens

Royal Mode:
Cycle that selects only rich, deep tones of color

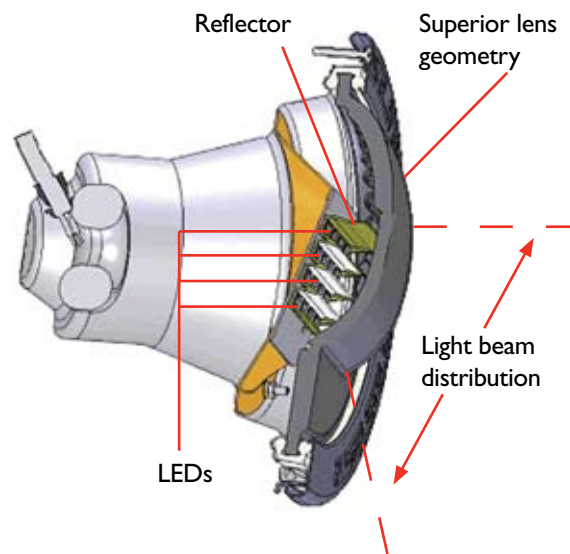


No other LED light offers the brightness or freedom of IntelliBrite

Pentair engineers have raced past competing LED lights a number of ways.

- IntelliBrite technology makes use of the brightest LEDs available.
- A superior reflector design assures more light is directed toward the pool bottom to further increase intensity and color effects, while minimizing glare.
- Superior lens geometry distributes light in an optimum way to avoid “hot spots” on the pool bottom. Light intensity and color are distributed more uniformly throughout your pool.
- IntelliBrite allows a greater number of standard light programs and greater ability to create your personal, magical light shows.
- IntelliBrite works with IntelliTouch® or EasyTouch® control systems, the ultimate choices in pool, spa and poolscape equipment automation. In effect you transfer programming and control of IntelliBrite to a central system that controls all your other backyard and pool features.

IntelliBrite is clearly the new standard in color-changing underwater lighting creativity and value.



Drawing shows unique lens and reflector designs which combine to provide superior light beam distribution.

UL listed only when using Pentair niches for use in swimming pools, spas and water fountains.



Optional Controller Provides Fast, Easy Access

The IntelliBrite® controller offers pool and spa owners without an automation system fast, easy switching to their favorite color modes. It synchronizes IntelliBrite pool, spa and landscape lights to create dazzling light shows.



The Brightest White Lighting is also Energy Efficient

The IntelliBrite® White LED light is not only brighter than incandescent lights, it's the brightest on the market. In addition, its extended service life and energy efficiency can make the savings really add up. IntelliBrite uses only 70 watts to create the same light output as a 500 watt incandescent light bulb. That's 86% less energy used! To discover how much you could save, go to www.pentairpool.com and click on our IntelliBrite White LED Savings Calculator in the What's New section.

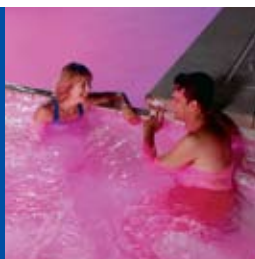


An Eco Select™ Choice

As an Eco Select™ brand, IntelliBrite is among Pentair Water Pool and Spa's greenest and most efficient choices.



Available from:



Pentair Pool Products® 800.831.7133
www.pentairpool.com

Sta-Rite® 800.831.7133
www.staritepool.com

pumps / filters / heaters / heat pumps / automation / lighting / cleaners / sanitizers / water features / maintenance products

